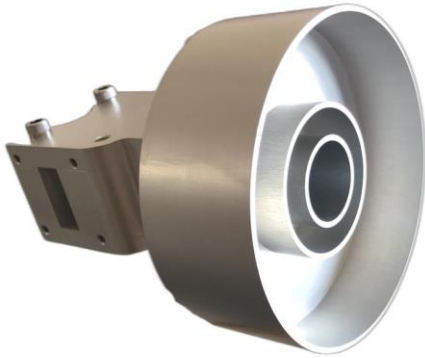




# ISOFLUX ANTENNA

A-IA-A3031



**Description:** A-IA-A3031 Isoflux Antenna is an original solution for a compact dual circularly polarized for satellites, picosatellites(cubesat) applications.

## Features:

- High gain
- Wide frequency range
- Circularly Polarization



## Electrical Features:

Frequency	~7.5 GHz-8.7 GHz
Gain	~6dBi
Polarization	RHCP-LHCP
VSWR(max)	≤ 2
HPBW( $\Phi=0,90$ )	(118,118)
Generated Patterns	Isoflux
Efficiency	> 90%



# ISOFLUX ANTENNA

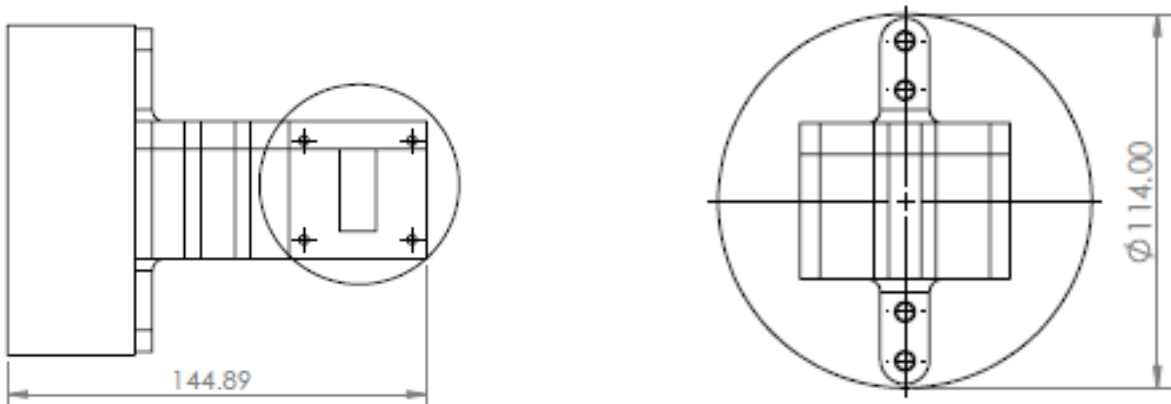
## A-IA-A3031

### Mechanical Features:

Height	65 mm
Diameter	114 mm
Feed Type	Waveguide/SMA

### Mechanical Drawing:

#### Waveguide Feed Type Isoflux Antenna



#### SMA Feed Type Isoflux Antenna

