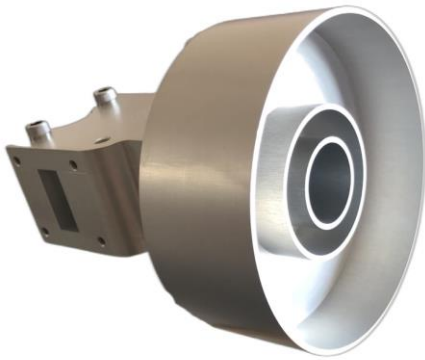




ISOFLUX ANTENNA

A-IA-A3031



Description: A-IA-A3031 Isoflux Antenna is an original solution for a compact dual circularly polarized for satellites, picosatellites(cubesat) applications.

Features:

- High gain
- Wide frequency range
- Circularly Polarization



Electrical Features:

Frequency	~7.5 GHz-8.7 GHz
Gain	~6dBi
Polarization	RHCP-LHCP
VSWR(max)	≤ 2
HPBW($\Phi=0,90$)	(118,118)
Generated Patterns	Isoflux
Efficiency	< 90%

ISOFLUX ANTENNA

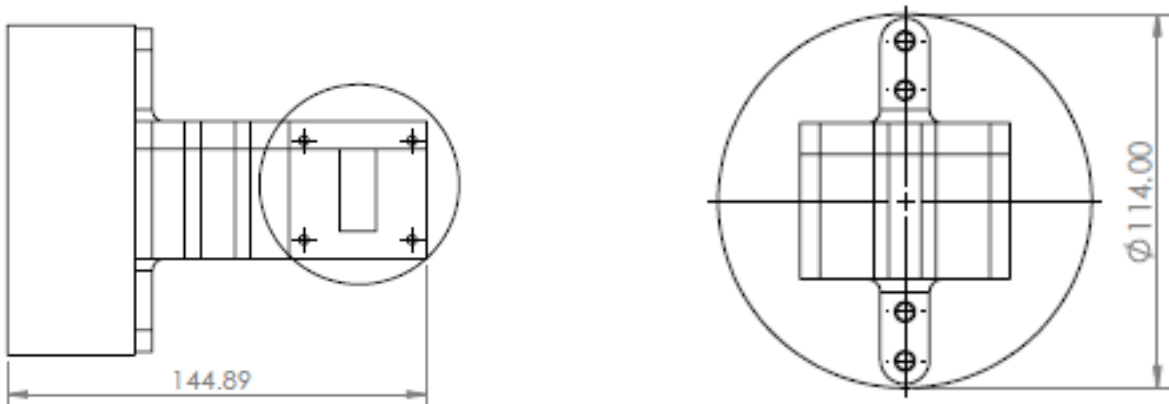
A-IA-A3031

Mechanical Features:

Height	65 mm
Diameter	114 mm
Feed Type	Waveguide/SMA

Mechanical Drawing:

Waveguide Feed Type Isoflux Antenna



SMA Feed Type Isoflux Antenna

